

# RHINO BATTERIES

ISO 9002 DISTRIBUTED BY HFMC INC



NON-SPILLABLE SEALED RECHARGEABLE BATTERY

SLA 2.8-6 6V, 2.8Ah

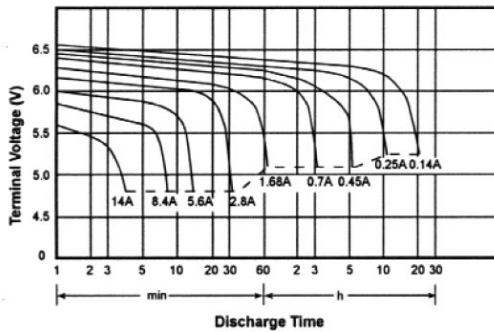
## ☆ SPECIFICATION

- NOMINAL VOLTAGE : 6 V
- NOMINAL CAPACITY(20 hrs) : 2.8 Ah
- DIMENSIONS
  - TOTAL HEIGHT : 98 mm ( 3.86 inches )
  - CONTAINER HEIGHT : 104 mm ( 4.09 inches )
  - LENGTH : 66 mm ( 2.60 inches )
  - WIDTH : 33 mm ( 1.30 inches )
- WEIGHT : APPROX 0.65 Kg ( 1.43 lbs )
- MAX DISCHARGE CURRENT : 14 A ( 5 sec )
- STANDARD TERMINALS : FASTON TAB 187
- CONTAINER MATERIAL : GENERAL GRADE ABS

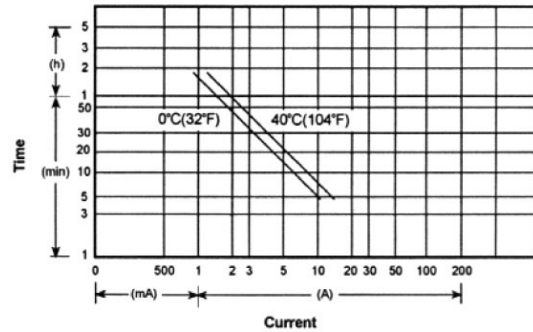
## ☆ CHARACTERISTICS

- CAPACITY 25 °C / 68 °F
  - 20 hr @ 0.14 A : 2.8 Ah
  - 5 hr @ 0.45 A : 2.25 Ah
  - 1 hr @ 1.68 A : 1.68 Ah
  - 1 C @ 2.8 A : 1.4 Ah
- INTERNAL RESISTANCE : 35 mΩ
- CHARGING VOLTAGE ( 20°C , 68 °F )
  - STANDBY USE : 2.275 ± 0.025 V/CELL
  - : (-3.3mV / °C / CELL)
  - CYCLE USE : 2.275 ± 0.025 V/CELL
  - : (-5mV / °C / CELL)
- MAX CHARGING CURRENT : 0.84 A

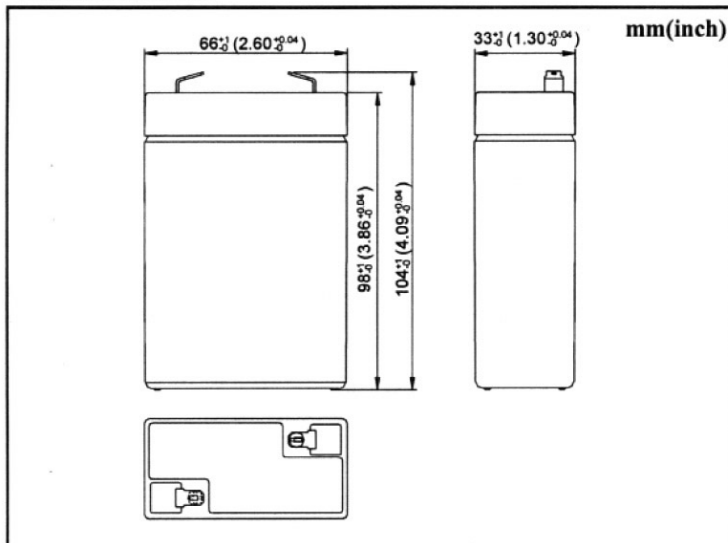
Discharge Characteristics 20 °C (68 °C)



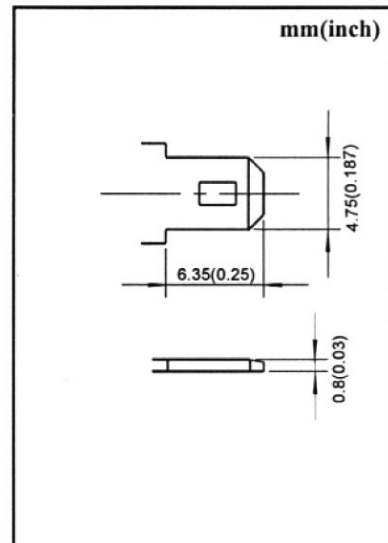
Discharge Current vs Time



## ☆ Dimensions



## ☆ Terminal



151 East Industry Ct.  
Deer Park, NY 11729

Visit us on the Web: <http://www.EcBattery.com>  
Email: [Sales@EcBattery.com](mailto:Sales@EcBattery.com)